

INSTALLATION INSTRUCTIONS FOR MODEL 26T

Read all instructions before attempting to install this stairway. It is necessary to have a helper to install this stairway. This unit requires some Assembly. This unit is packed in two cartons and weighs approximately 95 lbs. This Model 26T installs exactly like the Model 26 with the following exceptions.

Carton #1 - Door and door jamb assembly, drum mounting bracket assemblies, treads, rods, and screws.

Carton #2 - Partially assembled ladder and handrail assembly.

NOTE TO INSTALLER: Make certain slide bars (5A) and (10A) have not been displaced or bent in shipping. These slide bars are set at the factory at 13 9/16" plus or minus 1/32" and parallel to each other. Verify alignment and distance and proceed.

STEP 1. INSTALLING DOOR AND DOOR JAMB. Insure your rough opening is 1/2" longer and wider than your finished jamb. (Example; for a size 1-5 the rough opening will be 22" x 54"). Remove extra treads, rods, and screw packages from Carton #1. as they are to be used later. The finished jamb dimensions are 21-1/2" x 53-1/2". Your opening should be about 1/4" to 1/2" longer and wider than this dimension, Take the finished jamb assembly/door assembly and place in the opening with the GUIDE FRAME (part #5) towards the longest attic space dimension. Secure the GUIDE FRAME bracket with #10 x 3/4" Pan Head screws in holes provided. Attach the eye bolt, washers, and pull chain to the door.

STEP 2. INSTALLING LADDER. Remove the ladder assembly from carton. (Set the handrail to the side for now.) Notice the top three treads are left out. When engaging the slide bars on part #5 and #10 it will be necessary to bend in slightly the top to the ladder to allow the slide bars to nest into the grooves (See Fig. 2.) Have your helper open the door panel to approximately 35 degrees. This door panel already has the cables and spring tension applied so care should be taken. Line the ladder up with the two brackets (#5 and 10). Carefully bend inward the top of the ladder and engage the slide bars on the panel bracket (#10) beyond the top stops riveted on both sides of the stringers. Slide the ladder up and repeat the process for the slide bars on the guide frame (#5). Lift the ladder up high enough to insert the ladder rods, washers, and nuts in the center holes provided but don't tighten the nuts yet, You'll notice two of the treads are 5-1/2" x 13" and one is 7-1/4" x 13". The wider tread is your top tread (#18). Insert the two grooved treads (#2) into the gains starting from the face of the ladder towards the back of the ladder (See Fig. 3.) Now insert the top tread. Tighten the ladder rod nuts at this time. Use the #10 x 1-1/4" Pan Head screws to secure the treads to the stringers. Insure treads are snug in the bottom of the gains. After tightening, measure the front and back of the ladder to insure it is 14" wide. Insure all ladder rod nuts are tight at this time.

5. GUIDE FRAME
- 5A. SLIDE BARS
6. SPRING DRUM ASSEMBLY
7. PANEL DRUM
8. STRINGER DRUM
9. JAMB BRACKET
10. PANEL BRACKET
- 10A. SLIDE BARS
11. CABLES (PANEL)
12. CABLES (STRINGER)
15. DOOR PANEL
16. PIANO HINGE
17. DOOR PANEL CHAIN
21. FINISHED JAMB
22. EXISTING CEILING JOIST
23. SHEET ROCK
24. ATTIC FLOOR DECKING
25. DOOR PANEL STOP
26. #10 x 3/4" P.H. SCREW
27. EYE BOLT
28. HEADER BRACKET (DAMPENER)
29. DAMPENER
30. DOOR BRACKET (DAMPENER)

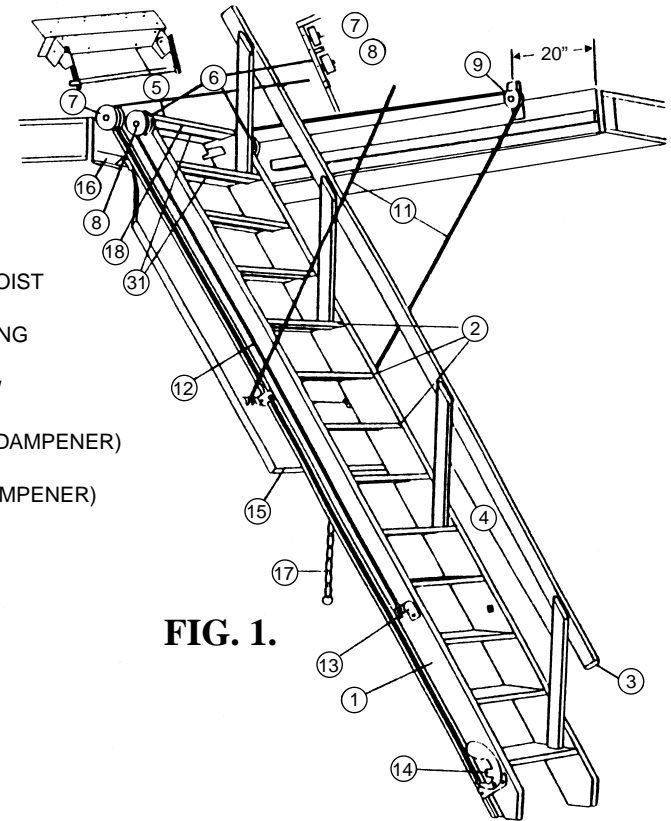


FIG. 1.

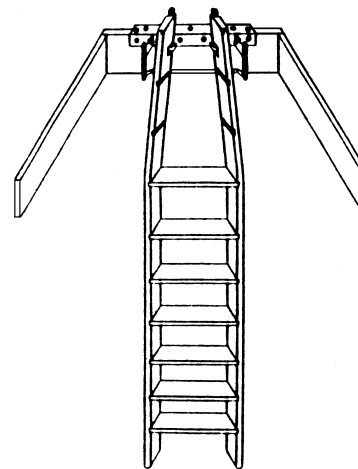


FIG. 2.

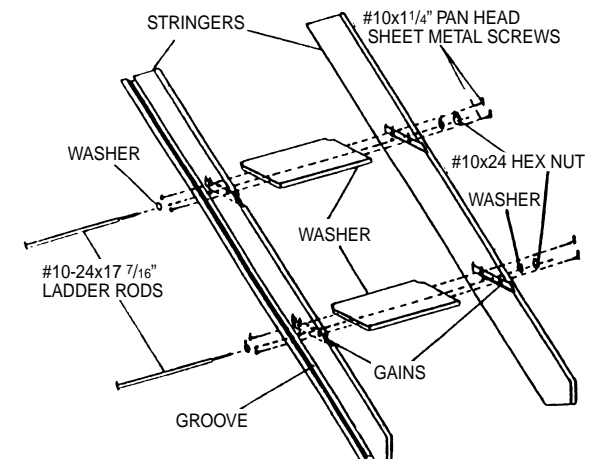


FIG. 3.

STEP 3. INSTALLING STRINGER CABLES. Slide ladder down to its lowest point at this time. Remove one of the stringer cables (#12) from the shipping fork taking care that you don't let the cable slip from your hand. *Caution should be taken when handling the cable as the stringer spring drum was shipped from the factory with the proper spring tension already pre-wound.* Bring the cable down to the cable holder on the side of the ladder about the third step from the bottom. Insert the cable into the fork of the cable holder (#13). Repeat this procedure for attaching the other side. **IMPORTANT:** Insure the ladder doesn't creep upward from the down position at this point. See STEP 5.

STEP 4. INSTALLING THE HANDRAIL. Using the handrail (#3) is optional but recommended. The handrail can be attached to either side of the ladder to the inside of the stringer. However, this handrail is designed to be mounted on the inside right hand stringer with the lowest handrail post (#4) resting on the second step butted up against the third step (See Fig. 1.). Attach the posts to the side of the stringer using #10 x 1-1/4" Pan Head Screws.

STEP 5. ADJUSTING SPRING TENSION. *Note: The spring drums come from the factory with the recommended amount of spring tension.* **For adding spring tension detach the cable (#12) from the cable holder (#13).** Allow the cable to wind up slowly on to the drum (#8). **Caution: do not let the cable, slip from your hand or free-wheel back on to the drum as this will backwind or break the spring.** Take the end of the cable in one hand and pull off enough cable to cause the spring drum to rotate one turn. Firmly grasp the drum with your other hand and re-wrap the cable onto the drum one wrap. Reattach the end of the cable to the corresponding cable holder. **To reduce spring tension,** follow the above instruction with the exception that you *remove a wrap of cable front around the drum.*

STEP 6. ADJUSTING SPEED OF THE DOOR CLOSURE. To adjust the dampener (#29) you turn the barrel or the dampener. Turn it right or clockwise to slow down the closing of the door. Turn It counterclockwise to speed up the closing of the door. **Do not allow the door to travel so fast as to allow slamming, as this will damage the stairway.** Proper dampening will allow door to glide closed without bumping or slamming.

OPERATION: To open Stairway, pull down on the chain until the ladder can be reached. Insure the catch lock (#14) has released and pull the ladder all the way down until it stops, Allow the feet of the ladder to rest firmly on the floor and insure the top tread is, even with the attic floor. **DO NOT ASCEND THE STAIRWAY IF IT CREEPS UPWARD UNDER ITS OWN POWER.** Refer to STEP 5 for adjusting tension. Treads, should be level and parallel to the floor. **TO CLOSE STAIRWAY,** push the ladder upward until the catch lock (#14) engages shoulder pin on panel bracket (#10). Allow the spring drums to close the door panel.

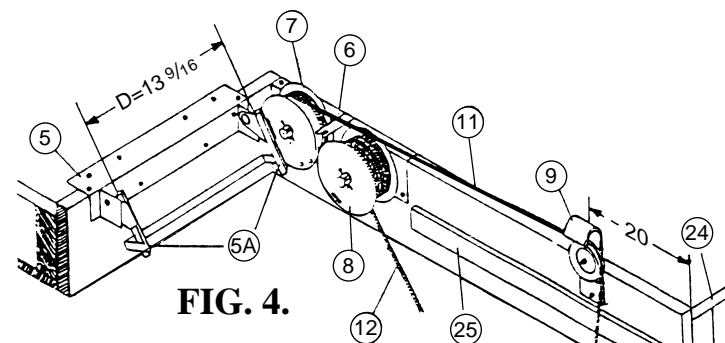


FIG. 4.

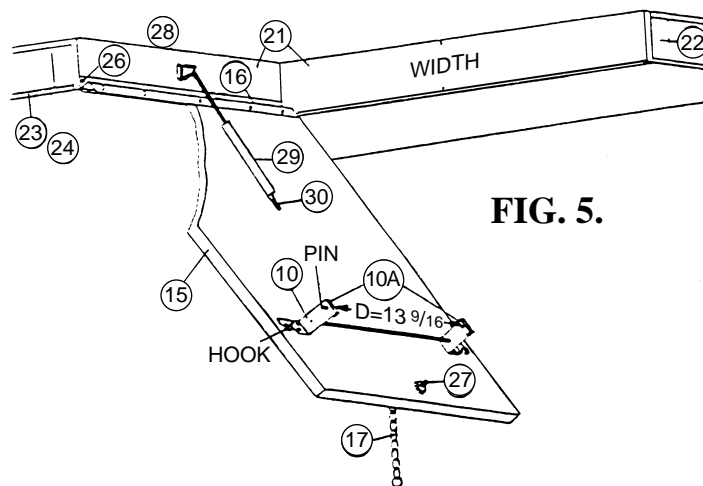


FIG. 5.

CAUTION: Special instructions for the Header

When installing the door and frame assembly on a model 26 or 26T, it is recommended that shimming behind the header will give added support to the door closer bracket and piano hinge.

The added support of shimming behind the header will help prevent the header from splitting due to improper adjustment of the closer or forced operation by the user.

MAINTENANCE: It is necessary to add lubrication to the grooves in the side to the ladder from time to time. The grooves can be lubricated with a light grease, paraffin, bees wax or petroleum jelly.

TROUBLE SHOOTING MODEL 26: If the ladder section is hard to move up and down along its length, check the following:

- Make sure the slide bars are operating in the grooves over the entire length of travel.
- Make sure the ladder is lubricated (See Maintenance).

If the ladder seems to be binding, check the grooves for gouge marks, then check width of ladder which should measure about 17-1/16" across the back.

Insure the tracks are sealed in the bottom of the gains and all of the ladder rods and fasteners are tight.

The spring inside the spring drum is broken when the drum rotates without placing tension on the cable. **Never open up the spring drum as the spring may exit the drum in a sudden and abrupt manner risking personal injury.** Return drum to factory for repairs.

Insure the cables are riding straight and true on the drums. Also insure the drums are not leaning to one side or wobbling. This may indicate that the bushings have come out of the drums. (New bushings may be obtained from the factory).